

SSV 8500

Safety Shut-off Valve

The SSV 8500 safety shut-off valve is designed for commercial and industrial use: gas supply networks, district stations, industries and heating plants where ease of adjustment and fast response are required.

Description

The SSV 8500 is a direct-acting slam-shut safety shut-off device. It shuts off the gas flow automatically and completely when the monitored pressure exceeds the pre-set values (over-pressure and/or under-pressure).

The closing plug of the SSV controller is used as a pulling tool to relatch the valve. A built-in bypass, for balancing pressure before relatching the safety shut-off valve, is operated by pulling the valve stem.



Key Benefits

- » Accurate operation
- » Low pressure loss
- » Built-in bypass
- » Compact design

Technical Features

Inlet pressure range	up to 16 bar
Over-pressure shut-off range	25 mbar to 5.6 bar
Under-pressure shut-off range	9 mbar to 2.5 bar
Accuracy class	AG 1 to AG 30
Operating temperature	-20°C to +60°C
Ambient temperature	-30°C to +60°C (body material)
Acceptable gases	Natural gas, propane, butane, air, nitrogen and all non-corrosive gases.

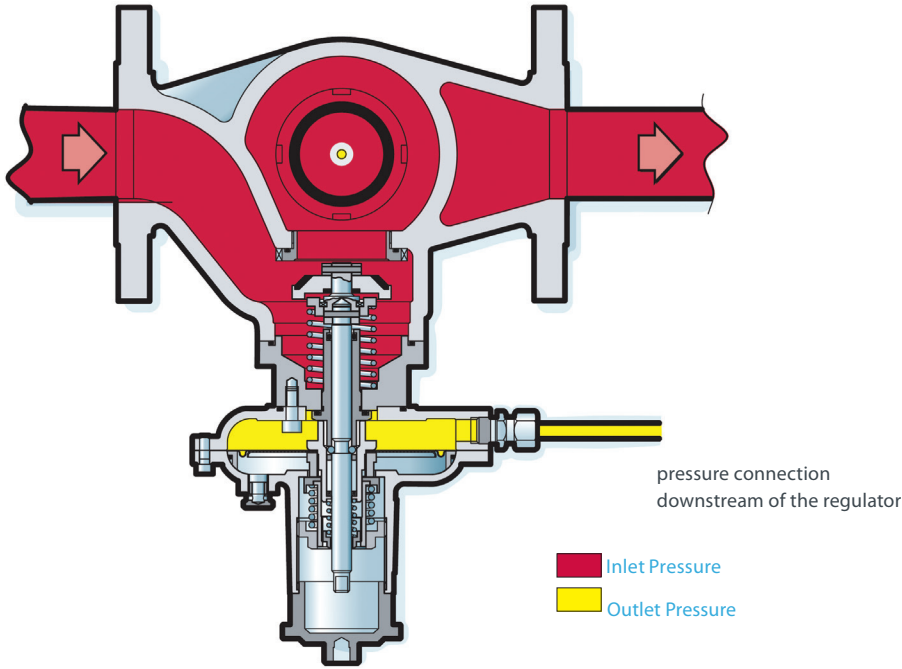
Sizes & Connections

Sizes	DN 25, 40, 50 and 80
Body lengths	EN 14382 face-to-face recommended dimensions
Flanges	Cast iron: PN16, PN25, ANSI 150

Materials

Body	Spheroidal graphite cast iron EN 1563 grade EN-GJS-400-18
Head	Pressed steel /UNI EN10025
Internal parts	Stainless steel and brass
Seals	Nitrile rubber.

Operational Diagram



Accuracy class (AG)

- » Low pressure: AG 10
- » Medium pressure: AG 2.5
- » High pressure: AG 1

Minimum difference between regulator and SSV settings (ΔP_w):

- » Standard: 15% with a minimum difference of 10 mbar for UPSO, 20 mbar for OPSO
- » High pressure: 20% with a minimum difference of 40 mbar for UPSO, 40 mbar for OPSO

Set Range

Spring characteristics:

d: wire diameter Lo: height
De: external diameter Lt: no. of spires

Over Pressure Shut-off Springs (OPSO)

Spring Code	Spring Characteristic				Spring Range		
	d (mm)	De (mm)	Lo (mm)	Lt	8511/12 (Ø 150)	8521/22 (Ø 90)	8531/132 (Ø 90 TR)
20565225	2	35	50	6	25 - 49 mbar	0.13 - 0.24 bar	•
20565125	2.5	35	50	6	44 - 120 mbar	0.20 - 0.46 bar	•
20565126	3	35	50	6	95 - 200 mbar	0.42 - 0.90 bar	•
20565127	3.5	35	50	6	200 - 350 mbar	0.83 - 1.84 bar	1.25 - 3.00 bar
20565128	4	35	50	6	•	1.32 - 2.25 bar	2.30 - 4.20 bar
20565129	4.5	35	50	6	•	2.28 - 3.15 bar	3.60 - 5.60 bar

Under Pressure Shut-off Springs (UPSO)

Spring Code	Spring Characteristic				Spring Range		
	d (mm)	De (mm)	Lo (mm)	Lt	8511/12 (Ø 150)	8521/22 (Ø 90)	8531/132 (Ø 90 TR)
20561022	1.2	15	35	7.75	9 - 19 mbar	0.06 - 0.10 bar	•
20560815	1.3	15	35	8	14 - 30 mbar	0.10 - 0.25 bar	0.15 - 0.40 bar
20561023	1.5	15	35	7.75	28 - 60 mbar	0.10 - 0.33 bar	0.30 - 0.60 bar
20561024	1.8	15	35	7.5	60 - 100 mbar	0.30 - 0.70 bar	0.58 - 1.25 bar
20561121	2	15	35	7.25	•	0.60 - 1.10 bar	1.20 - 1.70 bar
20561122	2.5	15	35	7.25	•	•	1.08 - 2.50 bar

Maximum Inlet Pressure

For higher inlet pressure, the SSV 8500 is fitted with heavier closing spring which gives a positive lock-up even in case of high pressure differential across the valve. The following table indicates the maximum inlet pressure for both options.

DN	25	40	50	80
Standard	6 bar	6 bar	6 bar	6 bar
Heavy duty	16 bar	16 bar	16 bar	6 bar

Flow Coefficient

For a 0.6 specific gravity gas, the following equation relates the flow (Q) and the pressure loss (ΔP):

$$(\Delta P) = \left(\frac{Q}{C_v}\right)^2 \frac{1}{P_u}$$

DN	25	40	50	80
C_v	620	1140	1900	4700

Overall Dimensions

DN	A (mm)	B (mm)	C (mm)	Additional weight (kg)
25	184	330	70	11
40	222	330	90	15
50	254	360	100	18
80	298	420	130	32

D: actuator diameter \varnothing 150 or \varnothing 90

Vent and Sensing Lines

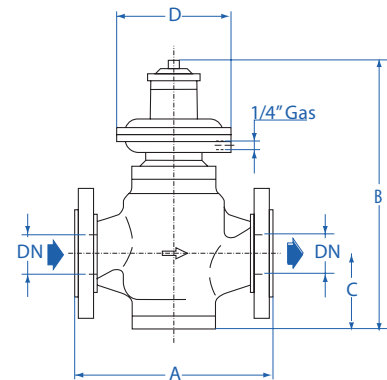
- » SSV sensing line: Rp 1/4 with compression fitting for DN 10
- » SSV vent line: Rp 1/8

Type Designation and Options

SSV 85	X	X	Versions
	1		\varnothing 120 or 150
	2		\varnothing 90
	3		\varnothing 90/TR
		1	OPSO
		2	OPSO + UPSO

where:

Q = volumetric flow rate in m³/h at standard conditions
 P_u = absolute inlet pressure in bar



Information to be specified when ordering:

- » Type designation
- » Minimum and maximum inlet pressures
- » Connection type
- » Options
 - » OPSO setting*
 - » UPSO setting*

* (if requested)

Dresser Utility Solutions GmbH

Hardeckstr. 2
76185 Karlsruhe
T: +49 (0)721 / 5981 - 100
info.karlsruhe@dresserutility.com



© 2023 Dresser Utility Solutions GmbH – All rights reserved. Dresser Utility Solutions reserves the right to make changes in specifications and features shown herein, or discontinue the product described at any time without notice or obligation. Contact your Dresser Utility Solutions representative for the most current information. The Dresser Logo and all Trademarks containing the term "Dresser" are the property of Dresser, LLC, a subsidiary of Baker Hughes. Actaris™ is a trademark owned by Itron, Inc. and used under license.